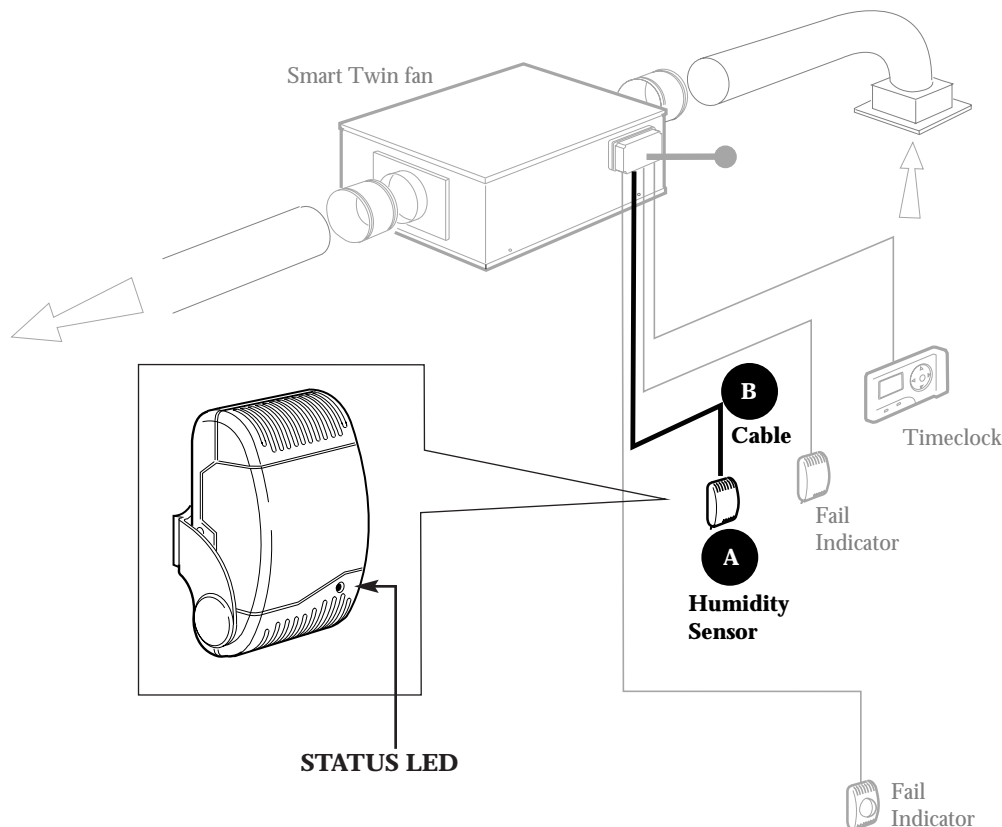


## SmarTwin Humidity Sensor

Leaflet 670865

FEBRUARY 1998

*Fig. 1 Typical system application.*



### Parts check list

- A** ST-HUM Humidity Sensor
- B** 1 off 10 metre length of plugged SELV cable

### ST-HUM Humidity Sensor

Designed to be used with the SmarTwin range of supply and extract fans the sensor is supplied with a pre-plugged 10m length of communications cable. The sensor operates on Safe Extra Low Voltage and is powered from the fan control module. This Sensor will activate the ventilation system automatically when the measured humidity rises above 80% RH.

#### Fan Fail Indication

The sensor also doubles as a fan fail indicator. The status LED will flash red if the fan unit has failed. The status LED is normally green to indicate that there are no faults.

### Communications cable

A 10m length of Safe Extra Low Voltage communications cable (SELV) is supplied with the sensor.

## Sensors

### Low Voltage Sensor (ST-HUM)

#### Installing the Sensor

The Sensor is supplied complete with 10 metres of connecting cable with plugs attached. Sensors are also supplied with all fixings and are clipped into a backplate wall mounting bracket.

- Fix one end of the 10m cable to the SmartTwin fan control connection box (connection sockets marked INPUT).
- Select a suitable location for the sensor and arrange the cable in position. Leave approx. 75mm of the cable free at the mounting point to ease the connection of the plug. (fig. 2).
- Carefully separate the sensor from the backplate using a small screwdriver (see Fig 3) Note: the sensor will remain connected by its internal cable.
- Release this cable from the bracket by simply pulling the plug off the socket pins in the backplate.
- Before fixing the backplate to the wall, connect the wall fixed cable end plug to the UPPER set of pins on the bracket (fig 4) NOTE: CHECK THE COLOUR CODE matching on when fitting the plug onto the pins. Arrange the cable to lay in the cable slot at the top of the backplate moulding and fix the bracket to the wall surface using the screws supplied.
- The sensor plug can now be connected into the backplate NOTE: CHECK THE COLOUR CODE matching when fitting the plug onto the pins. Clip the sensor body in the backplate arms and adjust the sensor body to the desired position.

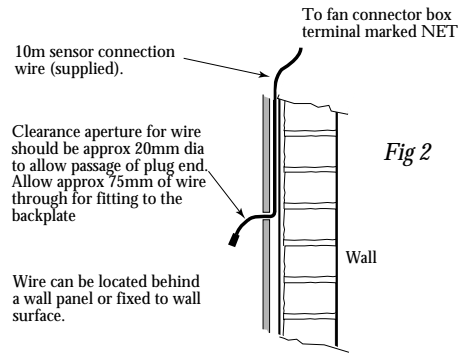


Fig 2

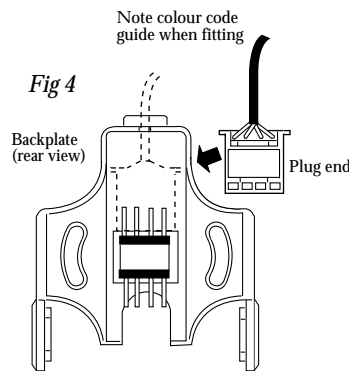


Fig 4

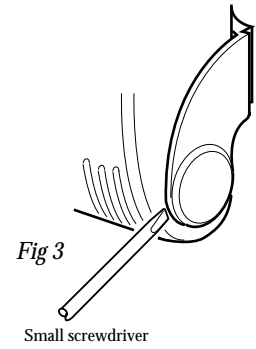


Fig 3

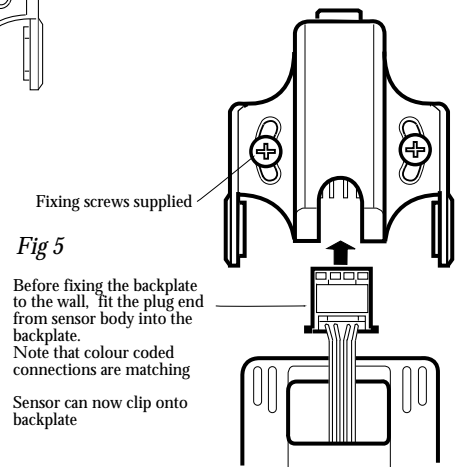


Fig 5

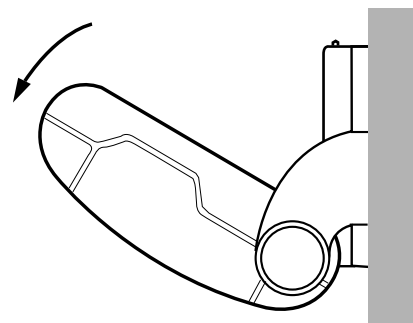


Fig 6