

Installation Guide

SMART BOXER

NUAIRE

NuAire Limited Western Industrial Estate
 Caerphilly, Mid Glamorgan CF83 1XH
 Telephone: 01222 885911 Fax:01222 887033
 Email: info@nuaire.co.uk

ELECTRIC HEATER OUTPUT ADJUSTMENT

Leaflet 670940

MAY 1999

IMPORTANT: ISOLATE THE UNIT FROM THE ELECTRICAL SUPPLY!

Note the unit is supplied with the maximum heater kW configuration. Remove links to suit requirements.

Remove the 4 bolts retaining the side panel (complete with the control box).

Note:
care must be taken that adequate support is available as the complete panel weighs in excess of 20 kg.

With the panel released, the wiring harness must be unclipped from the unit so that the panel can be completely removed.

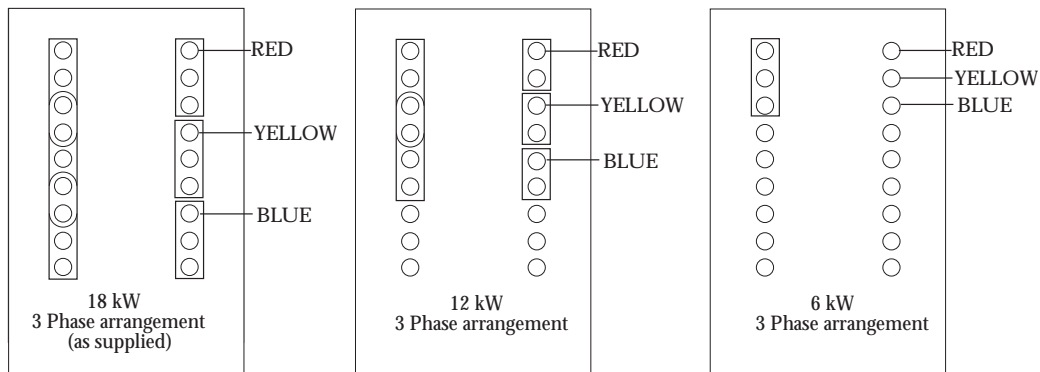
The heater element linkage (the copper strips joining the elements together) will now be exposed.

The configuration of these links can be altered to provide a lower heater output if desired.
 (The configuration of the links is preset at the factory to deliver the maximum kilowattage) i.e.

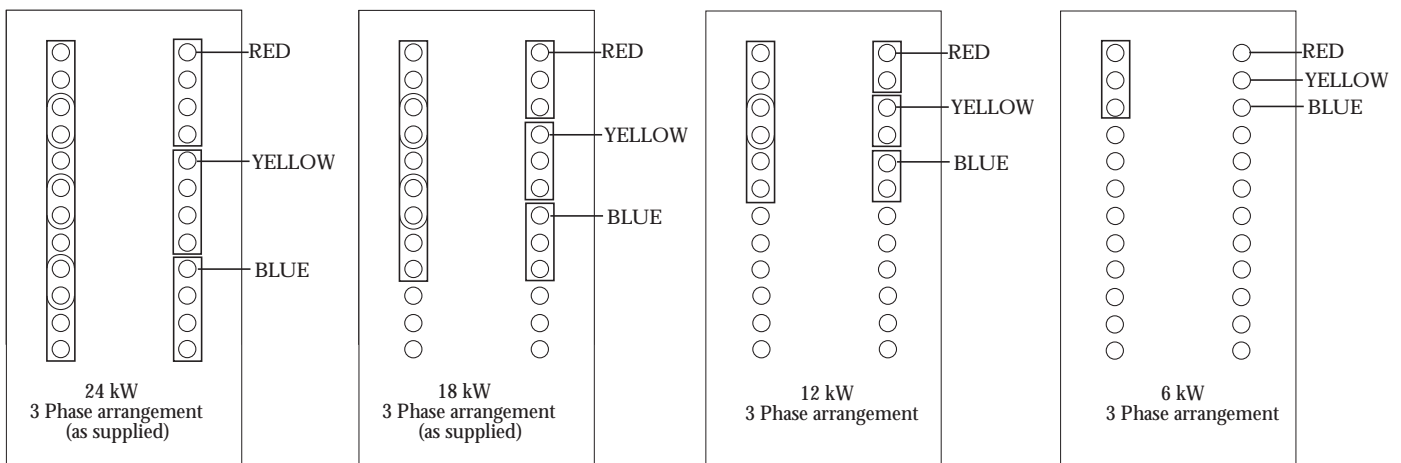
SBS1-E at 18 kW
SBS2-E at 24 kW

(note that the RED, YELLOW and BLUE wires also move).

With the re configuration completed, the linking cables can be reconnected and the complete side panel refitted.



SBS1-E Heater element linkage configurations



SBS2-E Heater element linkage configurations

NOTE:

Units are supplied with the following spare links:

- 1 x 2 way link
- 2 x 3 way links

Further information on the Smart Boxer installation is available in the following leaflets:

- Smart Boxer SBS Supply Unit Installation & Maintenance
 NuAire Leaflet No. 670889
- Smart Boxer SBEX Extract Unit Installation & Maintenance
 NuAire Leaflet No. 670890