



Genie NKFI

Kitchen Extract Unit

Surface and Semi-recessed Mounted

Installation and Maintenance

Genie Fans

The Genie range of fans has been specifically designed to operate in the kitchen and can be Surface and Semi-recessed mounted, using the optional mounting flange kit.

Air inlet is through the front filters and discharged through a rear mounted 100mm spigot.

Important - the unit is not designed for installation directly above a cooker or hob unit.

The standard unit has two speeds, low and high. The unit is turned off manually by successive pulls on the pull cord. Other versions can be activated at full speed by remote switch and with integrated relative humidity (RH) sensor, with and without manual override.

Fan Installation

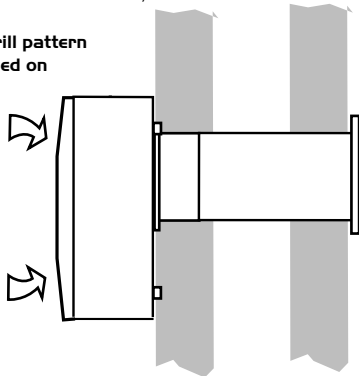
Installation must be completed by competent persons, in accordance with good industry practice and should conform to all governing and statutory bodies i.e. IEE, CIBSE etc.

Surface Mounting

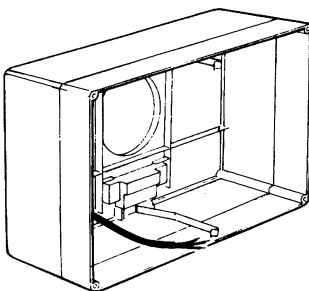
Note. For surface and semi-recessed mounting it is assumed that a solid mounting position has been selected and passages for ductwork from the outlet spigot, as well as electrical connection prepared. In addition that compatible ductwork has been installed in cavity walls.

Figure 1. Surface mounted, wall.

NB. Base drill pattern superimposed on page 2.



1. Unpack the unit and remove the fan module from the fan case base. Remove the cover and filters which are packed separately and retain for later use. Use the base as a template and mark the discharge spigot and mounting holes onto the mounting surface.



2. Prepare the area and connect the base spigot to compatible ductwork. Secure to the surface taking care not to twist or distort the case by over tensioning whilst offering the appropriate supply cable through the selected cable entry.

Figure 2. Cable entry.

IMPORTANT

Isolation - Before commencing work make sure that the unit is electrically isolated from the mains supply.

3. Remove the electrical socket/terminal block from the case, then connect wiring to the internal terminal block socket.

4. Fit the fan module to the base, matching the plug to the internal socket. Ensure that the pull cord is passed through the case, then secure via the spring clips.

5. Complete the installation by securing the cover and fit filters into front cover recesses.

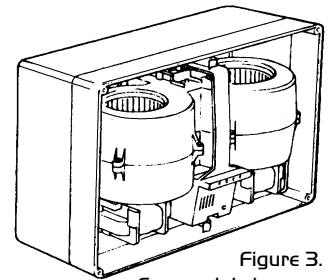
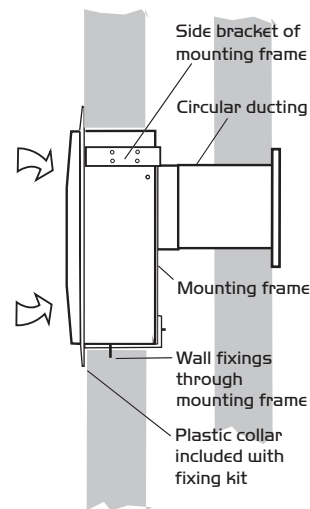


Figure 3. Fan module in case.

Semi - Recessed Mounting

With optional fixing kit No. 770984

Figure 4. Semi-recessed mounted in wall.



1. An opening of 327mm wide x 245mm deep should be prepared in the surface mounting position to accept the fan case and fixing kit brackets.

2. The depth of the recess should be at least 25mm more than the dimension from the back of the unit to the rear face of the skirt.

3. Assemble the fixing kit mounting frame by attaching the three legs to the 'Y' shaped frame.

4. Position the assembled mounting frame into the prepared aperture, then trim the ends of the brackets so that they are flush with the wall. (See figure 5). Secure the brackets with suitable fixings (by others).

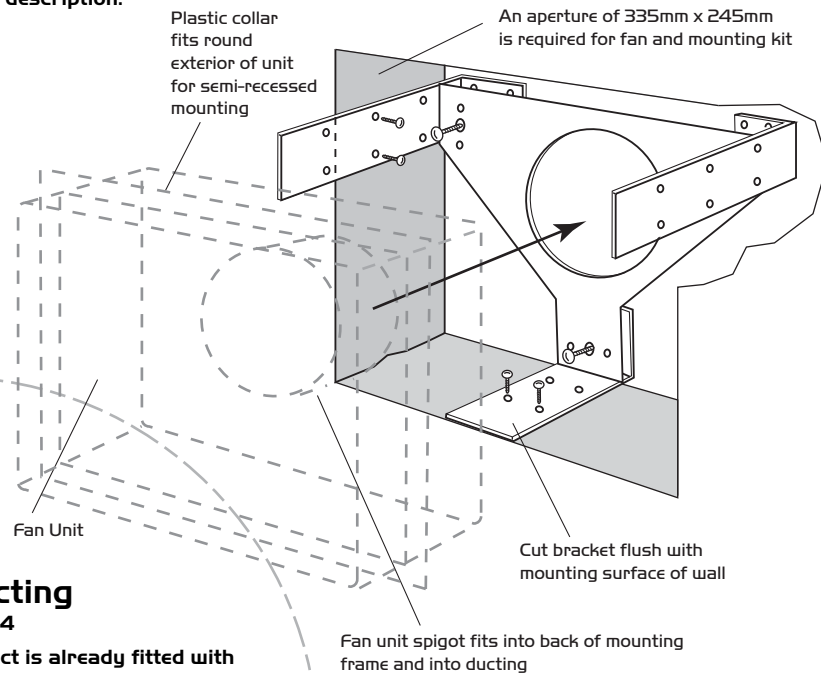
(continued overleaf).

Semi - Recessed Mounting (cont).

5. Offer up the casing of the fan to the mounting frame, inserting the fan outlet spigot through the hole in the frame into the end of the compatible ductwork and fix using tape (by others). Fix the fan case to the frame using the three screws supplied. Fit the plastic finishing collar to the outside of the unit to complete.

Note: the remaining installation procedures for semi-recessed mounting are as surface mounting description.

Figure 5. Semi-recessed frame kit mounted in wall aperture.



IMPORTANT

Isolation - Before commencing work make sure that the unit is electrically isolated from the mains supply.

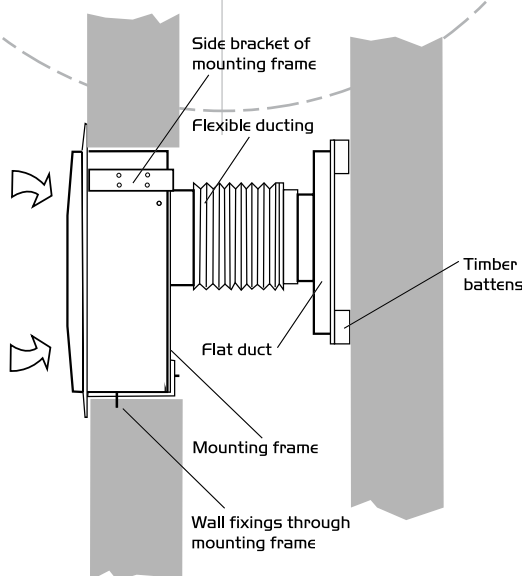
Installing into flat ducting

With optional fixing kit No. 770984

Note. It is assumed that the flat duct is already fitted with a plenum section incorporating a 100mm dia. spigot.

1. First proceed with installation procedures as semi-recessed mounting description.
2. Feed the 100mm flexible ducting (supplied) through the rear of the mounting frame and fit to the spigot on the flat duct plenum.
3. Offer up the casing of the fan to the mounting frame, inserting the fan outlet spigot through the hole in the frame into the end of the compatible ductwork and fix using tape (by others). Fix the fan case to the frame using the three screws supplied. (See figure 5).

Figure 6. Flat duct installation.



Adjusting the Humidistat

For units supplied with integral Humidistat option.

By adjusting the humidity set point it is possible to adjust the humidity level at which the fan operates. (The humidity set point is adjusted to maximum at factory prior to delivery). Isolate the unit from the supply and remove the front cover, locate the electronic control module situated to the right of the fan/ motor assembly. **Use a small screwdriver to turn the adjuster, clockwise to sense a higher humidity level or anti-clockwise to sense a lower level.**

When initially running a Genie unit with the humidistat option the humidity adjustment control should be adjusted to maximum (fully clockwise). **Start the fan and after approx. 30 minutes it will switch off.**

Adjust the humidity set point downward (by turning the control anti-clockwise) until the desired level is achieved. The fan will cut in when the set level of humidity in the room is reached.

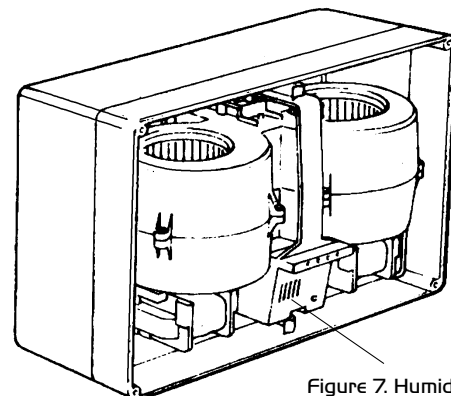


Figure 7. Humidity adjuster.

Shutters

Although no backdraught shutter is fitted in the unit. We do recommend the use of the outlet shutter which is available as an optional extra from Nuair.

IMPORTANT

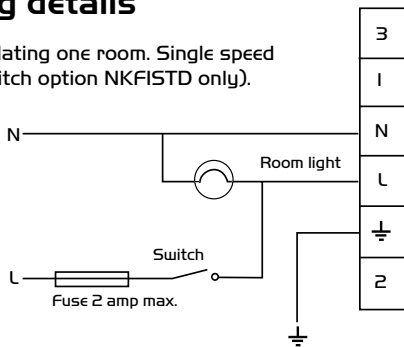
Isolation - Before commencing work make sure the unit is electrically isolated from the mains and switched live supply. Means for double pole disconnection must be incorporated in the fixed wiring in accordance with the wiring regulations.

Power Consumption

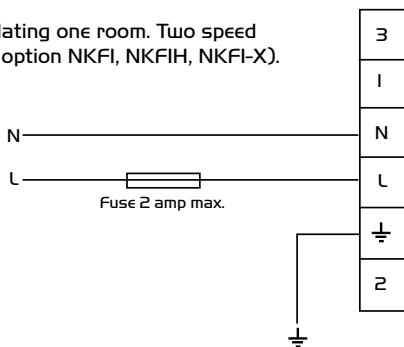
	low speed	high speed
Unit input power (watts)	30	110
Full load running current (amps)	448mA	1.13
Starting Current (amps)	720 mA	2.20

Wiring details

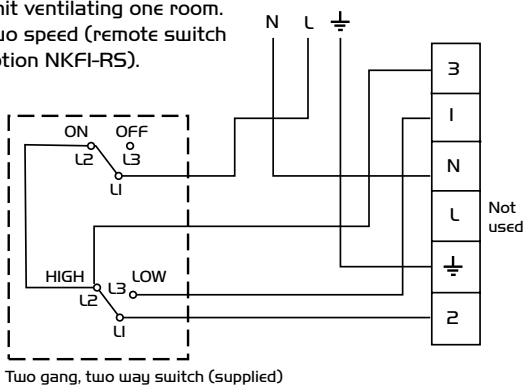
Unit ventilating one room. Single speed (room switch option NKFISTD only).



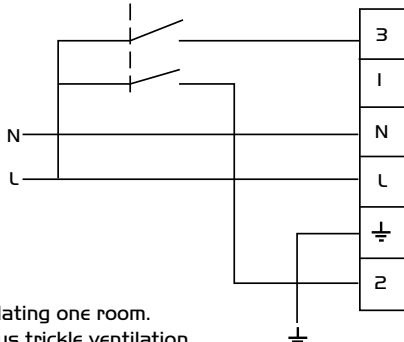
Unit ventilating one room. Two speed (pull cord option NKFI, NKFIH, NKFI-X).



Unit ventilating one room. Two speed (remote switch option NKFI-RS).

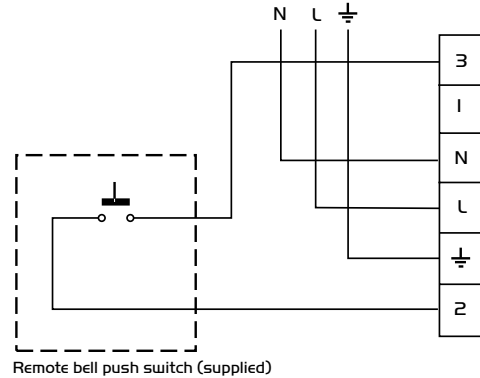


Double pole switch (by others)



Unit ventilating one room. (continuous trickle ventilation with boost via remote double pole switch NKFI-XR).

Unit ventilating one room. Two speeds with integral humidistat. Remote mounted bell push switch. Humidistat overrides all switch positions. NKFI-HX2R



Coding

NKFI	Kitchen unit, two speed
NKFISTD	Kitchen unit, single speed,
NKFI-X	Kitchen unit, continuous trickle vent, boost by pull switch
NKFI-XR	Kitchen unit, continuous trickle vent, boost by remote switch*
NKFIH	Kitchen unit, two speed with integral Humidistat
NKFI-RS	Kitchen unit, two speed remote operated c/w switch
NKFI SHUT	Outlet shutter
GENIE DAMPER	Fire damper
770984	Fixing kit
*switch not supplied.	

Maintenance

General

A washable filter is fitted to protect the fan/motor assembly from towel lint, talc etc. and to prolong the life of the unit. However, some fine dust may find its way through the filter and could build up on the motor and/or impeller. It is therefore strongly recommended that all units are inspected and cleaned at least every six months.

Procedure

At all times take care not to damage, distort or disturb the balance of the impeller. Remove the filter and the electronic control module. Spring aside the two clips and remove the fan module. Inspect and replace any damaged items.

Using a soft brush or dry cloth remove dust and dirt from the fan module. Wash front cover in warm soapy water and dry thoroughly. Re-fit fan and electronic control module, replace front cover and secure with screws. Wash filter on tepid water to which a little mild detergent has been added. Shake out excess water and allow to dry naturally. Replace filter. Refit the retaining screws (Fig 3). Test run the unit.

Replacement of Parts

Should any component need replacing Nuair keep extensive stocks for quick delivery. Ensure that the unit is electrically isolated, before carrying out any work.

When ordering spare parts, please quote the serial number of the unit and the ARC number of the purchase if possible.

(This information will be available on the fan label).

Warranty

The 5 year warranty starts from the day of delivery and includes parts and labour for the first year.

The remaining years covers replacement parts only.

This warranty is conditional on planned maintenance being undertaken.

Service Enquiries

Nuair can assist you in all aspects of service. Our service department will be happy to provide any assistance required, initially by telephone and if necessary arrange for an engineer to call.

**Customer Services Department
on 08705 002 555**