

ESBHS-E

A Guide To Reducing The Electrical Heater Output



Unit Code	Standard Heater Size (kW)	Reduced Heater Size (kW)
ESBHS1(H)-E	18	12 or 6
ESBHS2(H)-E	24	18, 12 or 6
ESBHS3-E	27	18 or 9
ESBHS4-E	36	27, 18 or 9
ESBHS5-E	54	36, 27, 18, or 9
ESBHS6-E	54	36, 27, 18, or 9
ESBHS7-E	54	36, 27, 18, or 9

IMPORTANT

Isolation - Before commencing work, make sure that the unit and control are electrically isolated from the mains supply.

1.0 INSTRUCTIONS

IMPORTANT

The installation must be carried out by qualified personnel in accordance with the appropriate authority and conforming to all statutory and governing regulations.

- Release the four bolts retaining the heater section access panel cover and remove the panel completely, exposing the control and heater element terminals.
- Determine the number of heater elements required. Elements can be either 2kW or 3kW depending on unit size purchased and can be identified using the above table, simple calculations and the appearance of the unit.
- Remove the phase supply strap of each phase and cut (or remove) according to the reduction required (see figures 1-3).
- Remove the same number of elements from each phase (maintaining the phase balance).
- Ensure that phase line wires are reconnected to the correct terminals.
- Reinstall phase supply straps in the reverse order to which they were removed.

2.0 AFTER SALES ENQUIRIES

For technical assistance or further product information, including spare parts and replacement components, please contact the After Sales Department.

Telephone 02920 858 400
aftersales@nuaire.co.uk

Figure 1. Standard Electric Heater Arrangement

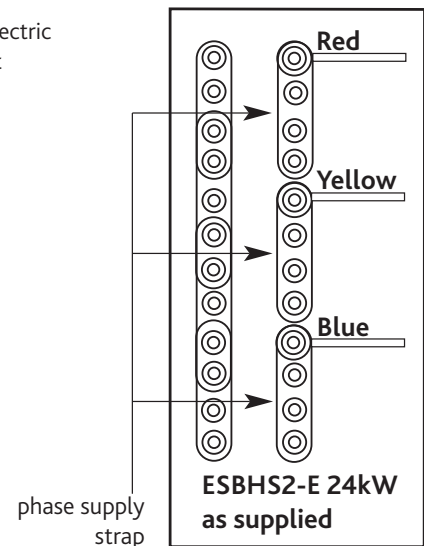


Figure 2. Reduced Power Electric Heater Arrangement

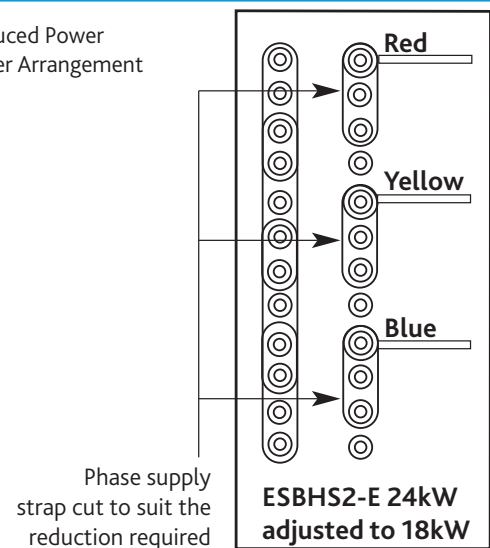


Figure 3. Further Reduced Power Electric Heater Arrangement

