



NALT-L FANS

Metal Cased Centrifugal Fans

Installation and Maintenance

CE The EMC Directive 2014/30/EU
The Low Voltage directive 2014/35/EU

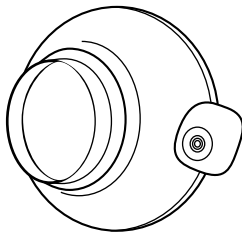
Introduction

The NALT-L unit is supplied with a pre-wired terminal box and an IP44 rated, class B insulated motor. The fans are designed to convey clean air with a maximum temperature up to 60 Deg.C (40 Deg.C - model NALT-100L & 125L 50 Deg.C model NALT-315L).

Do not operate the fan in the presence of inflammable vapours (alcohol etc).

An adequate supply of fresh air must be provided if the fan is to be fitted in a room with a gas burning appliance which is not of the balance flue type.

Fig. 1.



Code descriptions

NALT - 100L

| | |
| 2 3

1. Centrifugal Tube Fan Range
2. Case Size
3. L = Standard Performance

1.0 Handling

Always handle the fans carefully to avoid damage and distortion. Care should be taken to ensure that any slings used for lifting purposes do not damage the casing, connection box, impeller or inlet cone.

2.0 Installation

Installation must be carried out by a competent person in accordance with the appropriate authority and conforming to all statutory and governing regulations i.e. IEE, CIBSE, COSHE etc.

From the fan rating plate, observe the weight of the unit and select the mounting position and structure that can support the unit.

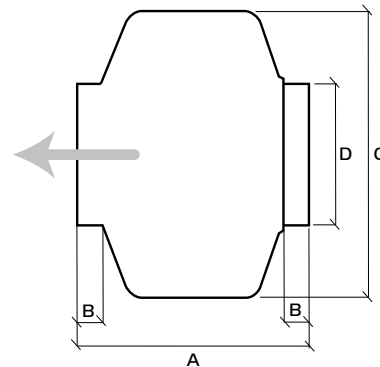
These fans are not for stand-alone use. They are designed to be incorporated into ducted systems, machines or where safe operation has been ensured by providing applicable protection to moving parts.

This unit is not designed for external use. Before installing ensure the impeller is running freely and there are no obstructions to the airflow.

A robust mounting foot is available as an accessory, to ease installation.

3.0 Dimensions (mm) & Weights (kg)

Fig. 2.



Code	A	B	C	D	Weight (Kg)
NALT-100L	194	23	243	98	3
NALT-125L	195	27	243	123	3
NALT-150L	214	24	333	147	5
NALT-200L	223	25	333	198	5
NALT-250L	206	27	333	248	6
NALT-315L	230	25	401	312	8

4.0 Technical Data

Code	Nom speed	Max adsorbed power (W)	Max adsorbed current (A)	Max air volume (m ³ /s)	Sound pressure level dbA @3m	Max temp (°C)
NALT-100L	2550	85	0.60	0.065	38	40
NALT-125L	2500	87	0.60	0.078	39	40
NALT-150L	2100	70	0.30	0.15	46	60
NALT-200L	2250	125	0.50	0.231	47	60
NALT-250L	2300	130	0.55	0.25	49	60
NALT-315L	2300	235	1.00	0.4	52	50

IMPORTANT

Isolation - Before commencing work make sure that the unit, and any control are electrically isolated from the mains supply.

IMPORTANT

For good EMC engineering practice, any sensor cables or switched live cables should not be placed within 50mm of other cables or on the same metal cable tray as other cables.

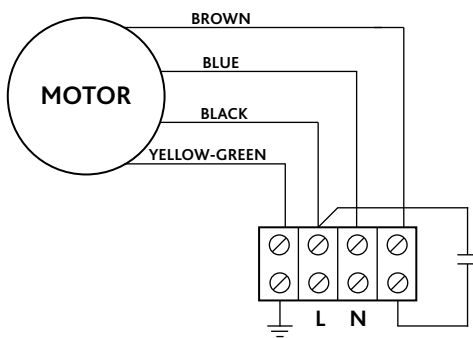
Isolation - Before commencing work make sure that the unit, switched live and Nuaire control are electrically isolated from the mains supply.

Please note this product must be earthed.

5.0 Electrical Wiring

Electrically isolate unit before commencing any work. Ensure that the voltage and frequency of the electrical supply match the information stated on the Rating Plate on the unit. Wire the unit as shown in the wiring diagram. On connecting the electrical supply ensure that the airflow direction corresponds with the direction of airflow arrow sited on the unit.

Fig. 3.



Electrical Note: Because the run and start currents depend upon the duty and associated duct work of an individual unit, the values quoted in the table are nominal. Run currents will be exceeded if the unit is operated beyond the operating curve shown in the performance catalogue.

6.0 Maintenance

Electrically isolate unit before commencing any work. Usage and conditions will dictate frequency of maintenance. We recommend a thorough inspection and cleaning three months after commissioning and, dependant on how the fan is found at least annually thereafter.

Fans and systems should be maintained in accordance with the HVCA Standard Maintenance Recommendations for Mechanical Services in Buildings Volume II Ventilation and Air-conditioning.

Do not use a high pressure cleaner (steam jet) or any solvents for cleaning purposes.

Do not immerse the unit in water.

Check all parts for security and general condition. Ensure the impeller rotates freely.

7.0 Warranty

The unit has a one year warranty. The warranty starts from the date of delivery and covers faulty materials or workmanship and includes parts and labour.

This warranty is void if the equipment is modified without authorisation, is incorrectly applied, misused, disassembled, or not installed, commissioned and maintained in accordance with the details contained in this manual and general good practice.

The product warranty applies to the UK mainland and in accordance with Clause 14 of our Conditions of Sale. Customers purchasing from outside of the UK should contact Nuaire International Sales office for further details.

8.0 After Sales Enquiries

For technical assistance or further product information, including spare parts and replacement components, please contact the After Sales Department.

Telephone 02920 858 400

Technical or commercial considerations may, from time to time, make it necessary to alter the design, performance and dimensions of equipment and the right is reserved to make such changes without prior notice.