



# Vertical Mounting Kit (AVT-VK) For Aire-Volve Twin Fans Installation and Maintenance

INDOOR USE ONLY

## 1.0 Introduction

The vertical mounting kit allows the fan unit to be mounted in a vertical plane. This option allows the unit access door to be opened from the front, rather than sliding open as in all other options. **Vertical Mounting Kit Code: AVT-VK.**

### IMPORTANT

**Isolation - Before commencing work make sure that the unit is electrically isolated from the mains supply.**

## 2.0 Installation

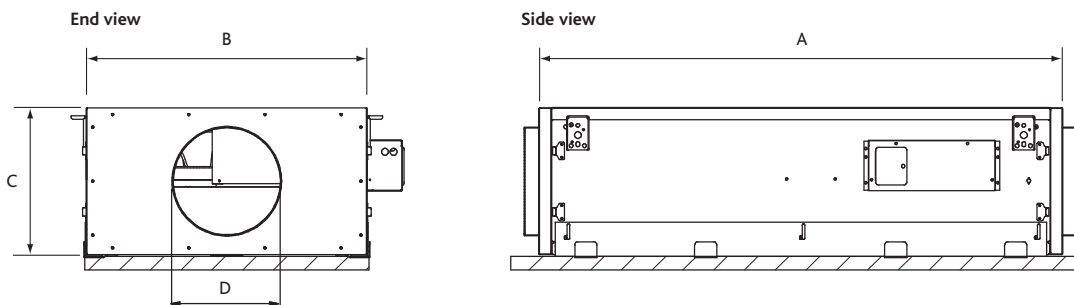
**The installation must be carried out by competent personnel in accordance with the appropriate authority and conforming to all statutory and governing regulations.**

Note: the fan unit must be mounted on a secure, vibration free vertical surface away from direct heat sources or water spray. The hardware supplied for this product cannot be used on a steel stud wall, old cinder block wall or a hollow wall. If you cannot determine the nature of a wall, please consult the site manager.

Nuaire will not be held responsible for damage or loss caused by wrong installation or assembly.

The installer is responsible for ensuring the safe installation of this product.

Fig. 1.0 Dimensions (mm), weights and kit coding.



| Fan Code | Dim A + spigot length (100mm) |      |      | Dim B + control | Spigot D (dia) | Weight (kg) | FLC  | Vertical kit part number |
|----------|-------------------------------|------|------|-----------------|----------------|-------------|------|--------------------------|
|          | A                             | B    | C    |                 |                |             |      |                          |
| AVT1     | 931                           | 1031 | 544  | 648             | 250            | 46          | 0.75 | AVT1-VK                  |
| AVT2     | 968                           | 1068 | 543  | 647             | 285            | 48          | 1.4  | AVT2-VK                  |
| AVT3     | 1186                          | 1286 | 681  | 785             | 334            | 67          | 1.35 | AVT3-VK                  |
| AVT4     | 1229                          | 1329 | 681  | 785             | 376            | 68          | 3.1  | AVT4-VK                  |
| AVT5     | 1531                          | 1631 | 827  | 931             | 433            | 102         | 3.5  | AVT5-VK                  |
| AVT6     | 1729                          | 1829 | 921  | 1025            | 545            | 153         | 2.9  | AVT6-VK                  |
| AVT7     | 1892                          | 1992 | 1019 | 1123            | 575            | 179         | 3.5  | AVT7-VK                  |
| AVT8     | 2238                          | 2338 | 1244 | 1348            | 615            | 267         | 3.2  | AVT8-VK                  |
| AVT9     | 2238                          | 2338 | 1244 | 1348            | 615            | 244         | 1.85 | AVT9-VK                  |

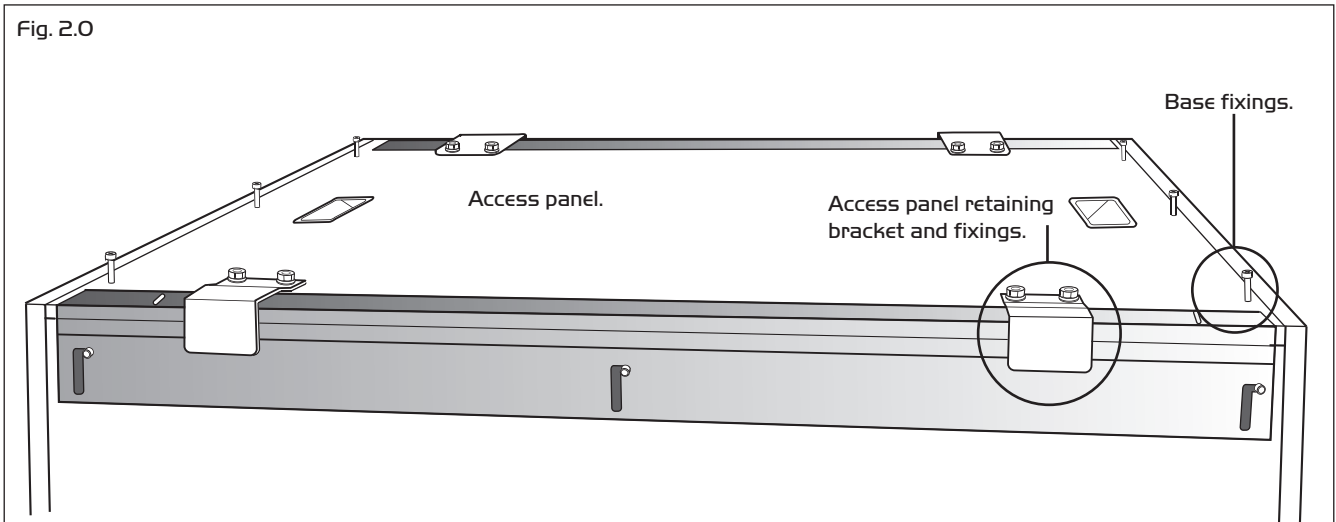
## 3.0 Important - Fitting the vertical mounting kit (All unit sizes)

**Step 1: (ALL UNITS)** Assistance or mechanical handling will be required as the unit needs to be inverted to gain access to the base of the unit. Please adhere to safe manual handling practices (Reference: [www.hse.gov.uk/msd/mac/](http://www.hse.gov.uk/msd/mac/))

### 3.1 Fitting the vertical mounting kit - (unit sizes 1 - 6 only)

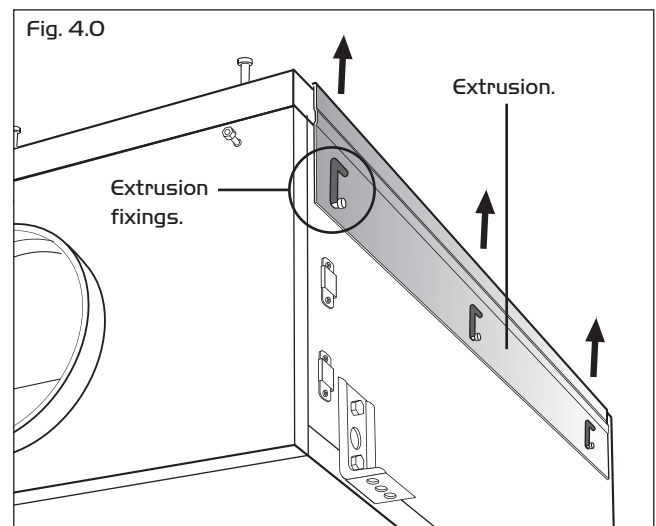
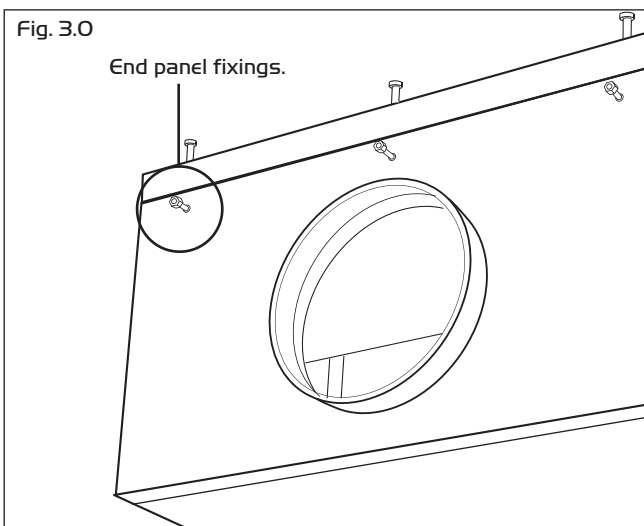
**Step 2: (Units 1 - 6 only)** Remove all retaining bracket fixings and remove the four retaining brackets from the fan unit. (Fig. 2.0).

**Step 3:** Release all base fixings, 3 each end of the access panel. (Note: Captive fixings). (Fig. 2.0).



**Step 4: (Units 1 - 6 only)** Release all end panel fixings, 3 each end of the fan unit access panel. (Fig. 3.0).

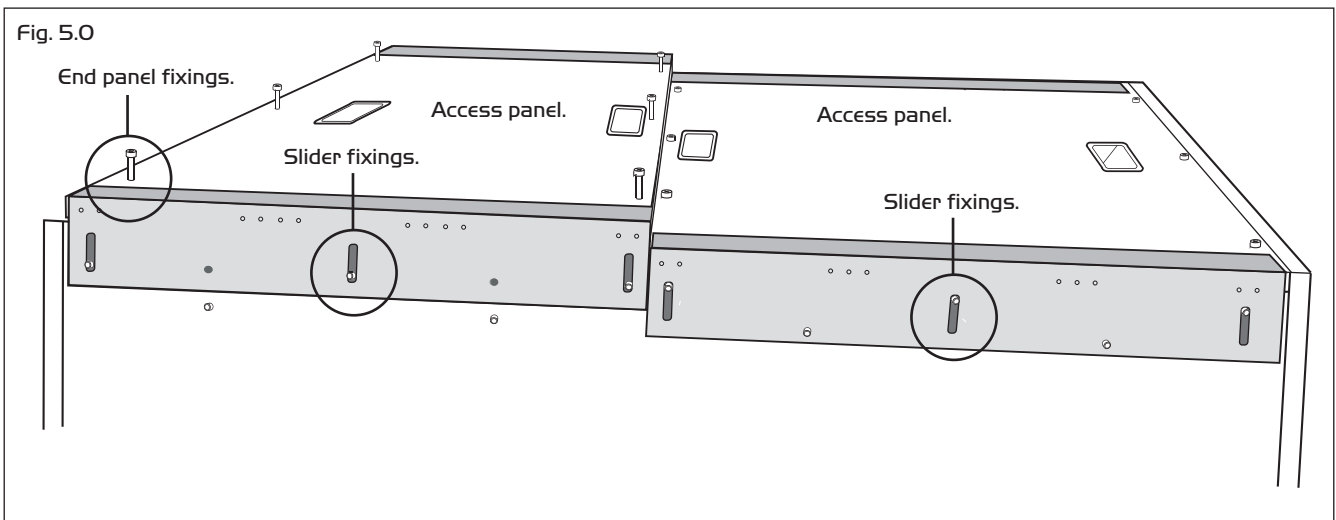
**Step 5: (Units 1 - 6 only)** Remove all the extrusion fixings and the extrusions from the fan unit. (Fig. 4.0).



### 3.2 Fitting the vertical mounting kit - (unit sizes 7 - 9 only)

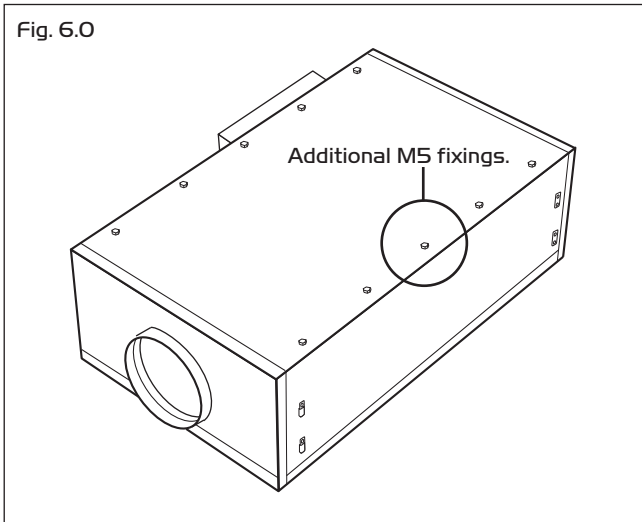
**Step 2: (Units 7 - 9 only, split panel access)** Release all base fixings, 3 each end of each access panel. (Note: Captive fixings).

**Step 3:** Remove the slider fixings and then remove the split access panel.

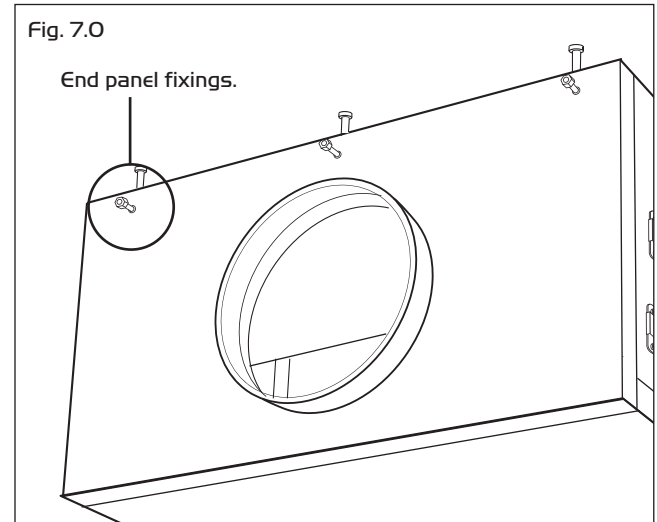


## 3.3 Fitting the vertical mounting kit - (all unit sizes)

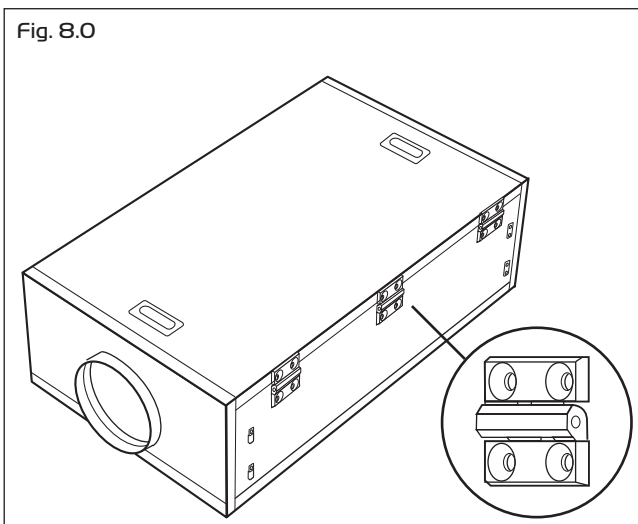
**Step 4: (All units)** Additional M5 fixings will be required along each side of base (Fig. 6.0). Note: Units 7 - 9 will require replacement panels (supplied with mounting kit).



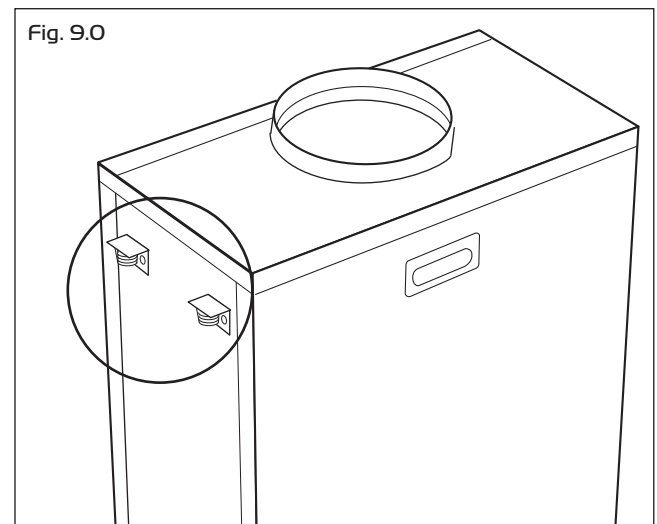
**Step 5: (All units)** to complete closure of the access panel and make secure retighten lower end panel fixings each end of unit. (Fig. 7.0).



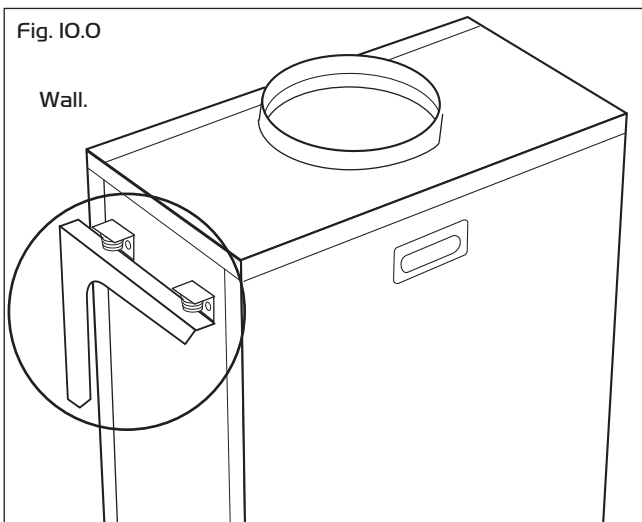
**Step 6:** Fit hinges to side of access panel and fan unit to allow the unit access door to be opened from the front (Fig. 8.0).



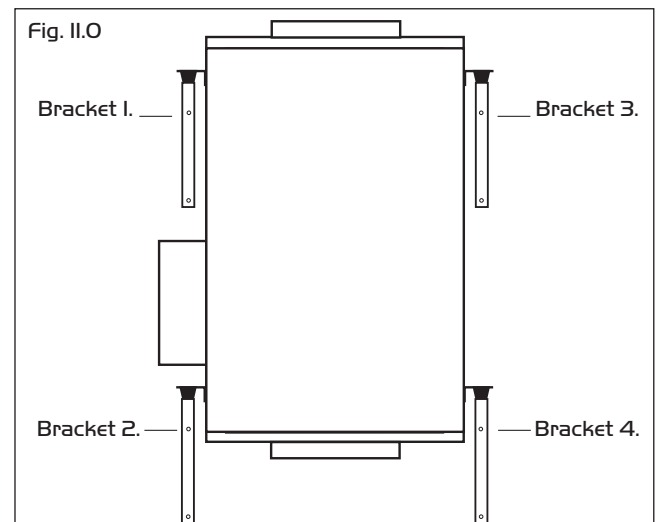
**Step 7:** Fit 4 small mounting brackets to each side of the fan unit. On completion fit an A.V. mount to each bracket. (Fig. 9.0).



**Step 8:** Fit the 4 wall mounting brackets to the A.V. mounts 2 each side of the fan unit. (Fig. 10.0).



**Step 9:** Using wall brackets as template mark mounting hole locations ensuring it's located horizontally. Mark the fixing-points through the pre drilled holes in the brackets and install with screws (by others),





Western Industrial Estate  
Caerphilly United Kingdom  
CF83 INA  
T: 029 2088 5911  
F: 029 2088 7033  
E: [info@nuaire.co.uk](mailto:info@nuaire.co.uk)  
W: [www.nuaire.co.uk](http://www.nuaire.co.uk)