



MRXBOX-SIL4

4 Way Silencer For Wall / Cupboard
Mounted MRXBOXAB-ECO4 Units

Installation and Maintenance



1.0 SAFETY INFORMATION

- Ducting must be securely fixed with screws to the spigot to prevent access to live parts. Duct runs terminating close to the fan must be adequately protected by suitable guards.
- This appliance should not be used by children or persons with reduced physical, sensory or mental capabilities or lack of experience and knowledge, unless they have been given supervision or instruction concerning the safe use of the appliance by a person responsible for their safety. Children shall not play with the appliance. Cleaning and user maintenance shall not be carried out by children.

1.1 Symbols



REFER TO INSTRUCTION MANUAL

Read and understand the installation and maintenance manual before installing, operating or maintaining this product.

1.2 Important Information

This manual contains important information on the safe and appropriate assembly, transport, commissioning, operation, maintenance, disassembly and simple troubleshooting of the product.

While the product has been manufactured according to the accepted rules of current technology, there is still a danger of personal injury or damage to equipment if the following general safety instructions and the warnings contained in these instructions are not complied with.

- **Read these instructions completely and thoroughly before working with the product.**
- **Keep these instructions in a location where they are accessible to all users at all times.**
- **Always include the operating instructions when you pass the product on to third parties.**

1.3 Personal Protective Equipment

The following minimum Personal Protective Equipment (PPE) is recommended when interacting with Nuaire product:

- **Protective Steel Toed Shoes** - when handling heavy objects.
- **Full Finger Gloves (Marigold PU800 or equivalent)** - when handling sheet metal components.
- **Semi Fingerless Gloves (Marigold PU3000 3DO or equivalent)** - when conducting light work on the unit requiring tactile dexterity.
- **Safety Glasses** - when conducting any cleaning/cutting operation or exchanging filters.
- **Reusable Half Mask Respirators** - when replacing filters which have been in contact with normal room or environmental air.

Nuaire would always recommend a site specific risk assessment by a competent person to determine if any additional PPE is required.

2.0 INTRODUCTION

Nuaire's MRXBOX-SIL4 (4 Way Silencer) is designed for use with MRXBOXAB-ECO4 MVHR units. The product offers a four way attenuation solution to improve in duct noise levels; the bespoke solution allows both elements to be close coupled reducing breakout noise in this area and a more aesthetically pleasing installation.

3.0 MECHANICAL INSTALLATION

Installation must be carried out by competent personnel in accordance with the appropriate authority and conforming to all statutory governing regulations.

Please note a clear working space is required around the installed MVHR unit to allow the cover to be removed and provide sufficient access for maintenance such as filter change. Please allow a minimum of 480mm in front of the unit.

The fan must be installed indoors, on a suitable wall away from direct sources of frost, heat, water spray or moisture generation.

For a vibration-free result the unit must be mounted to a solid wall.

When fitting a MRXBOX-SIL4 in conjunction with a MRXBOXAB-ECO4 the unit should be mounted using the alternative wall mounting method supplied under product code MRXBOX-AV4 (Figure 4). Under no circumstances should this assembly be fitted using the standard hanging bracket supplied with the MVHR unit as this is not rated for the combined load.

For more detailed information on structural and installation requirements of the MRXBOXAB-ECO4 unit please refer to the installation documents supplied with the MVHR unit and also MRXBOX-AV4 for wall mounting details.

3.1 Pre-assembly

The silencer is supplied with 4x 200mm O-rings, these should be fitted over the 200mm foam spigots on the top of the MVHR unit.

Secure the toggle clamp and catch plate to both sides of the MVHR unit and silencer with the M4 fixings supplied (Figure 1).

If any Ecosmart products are to be used the connection to the MVHR unit should be made at this point as this is situated on the rear panel and access will be restricted once in place.

3.2 Wall Mounting

Fit the wall mounting brackets and secure the MVHR unit using the anti-vibration mounts as detailed in the installation document supplied as part of MRXBOX-AV4.

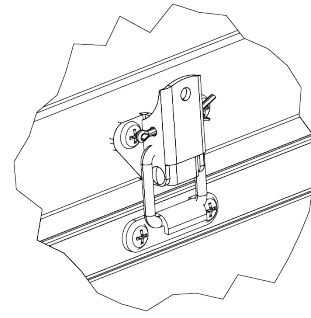
MRXBOX-SIL4 can be placed on top of the MVHR unit with the spigots located inside the chambers of the SIL and secured in place using the toggle clamps, the safety pins supplied should be fitted to fasten the clamps in place in the locked position (Figure 1).

If space constraints prohibit the silencer being moved into position as a secondary operation it may be hung in advance using the additional wall bracket supplied with the MVHR, it can then be lifted off and lowered into position. Care should be taken to fix the bracket at a suitable height to ensure the two halves are not in contact when the final assembly is complete.

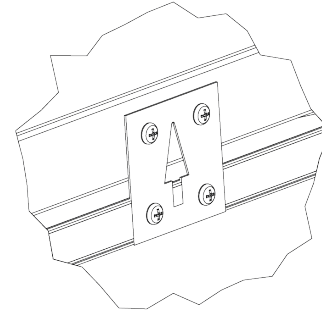
Note: the above method is the preferred installation arrangement, a minimum gap of 75mm either side of the unit is advised to allow access to the toggle clamps.

If space constraints do not allow this, the toggle clamps can be replaced with the metal fixing plates provided (Figure 2). The MRXBOXAB-ECO4 + MRXBOX-SIL4 will need to be secured together and lifted as one assembly using suitable lifting equipment.

1 Toggle Clamp



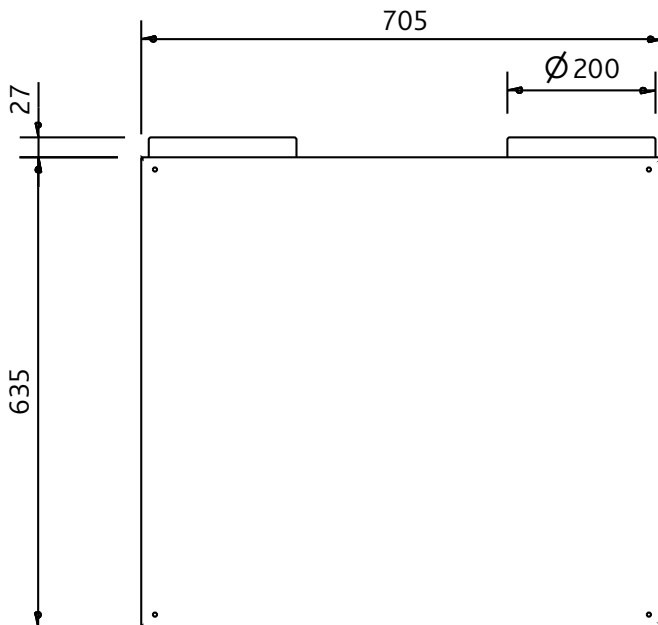
2 Fixing Plate



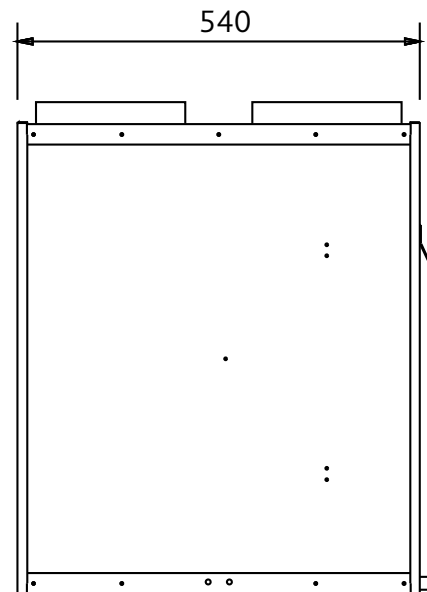
3.3 Dimensions (mm)

3 MRXBOX-SIL4 Dimensions (mm)

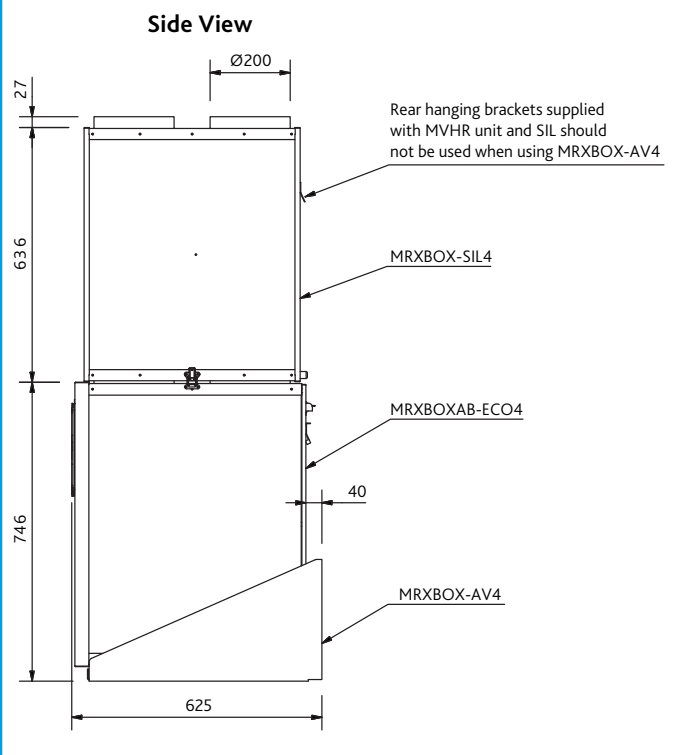
Front View



Side View



4 Installed view of MRXBOXAB-ECO4 using anti-vibration mounts (MRXBOX-AV4) and four way silencer (MRXBOX-SIL4)



IMPORTANT

Ensure that Nuairé product is made safe from any electrical / water / refrigerant supplies before dismantling commences. This work should only be undertaken by a qualified person in accordance with local authority regulations and guidelines, taking into account all site based risks.

6.0 AFTER SALES AND REPLACEMENT PARTS

For technical assistance or further product information, including spare parts and replacement components, please contact the After Sales Department.

If ordering spares please quote the serial number of the unit together with the part number, if the part number is not known please give a full description of the part required. The serial number will be found on the identification plate attached to the unit casing.

Telephone 02920 858 400
aftersales@nuaire.co.uk

4.0 WARRANTY

The warranty starts from the day of delivery and includes parts and labour for the first year. The remaining period covers replacement parts only.

This warranty is void if the equipment is modified without authorisation, is incorrectly applied, misused, disassembled, or not installed, commissioned and maintained in accordance with the details contained in this manual and general good practice.

The product warranty applies to the UK mainland and in accordance with Clause 14 of our Conditions of Sale. Customers purchasing from outside of the UK should contact Nuairé International Sales office for further details.

Only genuine Nuairé parts and filters may be used to maintain the unit. Failure to maintain the unit as recommended will invalidate the warranty.

5.0 END-OF-LIFE AND RECYCLING

Where possible Nuairé use components which can be largely recycled when the product reaches its end-of-life:

- Fans, motors, controls, actuators, cabling and other electrical components can be segregated into WEEE recycling streams.
- Sheet metal parts, aluminium extrusion, heating/cooling coils and other metallic items can be segregated and fully recycled.
- EPP, plastic ducting, nylon corner pieces, plastic heat exchangers, packaging material and other plastic components can be segregated into mixed plastic and widely recycled.
- Cardboard packaging, wood, used filters and other paper components can be largely recycled or fully processed in energy from waste centres.
- Remaining Items can be further segregated and processed in accordance with the zero waste hierarchy. Please call After Sales Support for further information on items not listed above.

Technical or commercial considerations may, from time to time, make it necessary to alter the design, performance and dimensions of equipment and the right is reserved to make such changes without prior notice.

