



IAQ-STAT

Thermostat Control for Cooling Module Installation and Maintenance



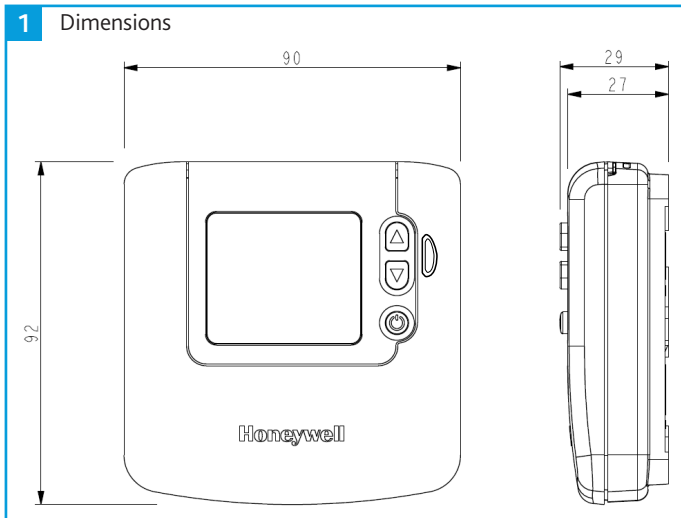
1.0 INTRODUCTION

The IAQ-STAT digital room thermostat is designed to provide comfort with economy in modern systems. Its large display and simple button interface make the UNIT extremely easy to use.

Energy efficiency is addressed via TPI control performance and an ECO button energy saving feature.

2.0 INSTALLATION

2.1 Dimensions

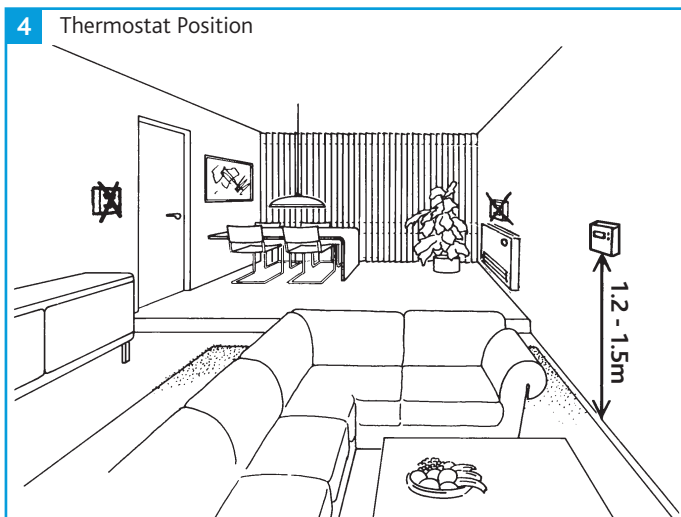


2.2 Positioning

The thermostat is for use in normal domestic environments, and so should be located inside the house or building where the ambient temperature is within the range 0 - 40°C. Avoid locations with high levels of condensing moisture.

As the temperature control element in the cooling system, thermostat **MUST** be located in a position with good air circulation at average room temperature on an inside wall 1.2 - 1.5m from the floor.

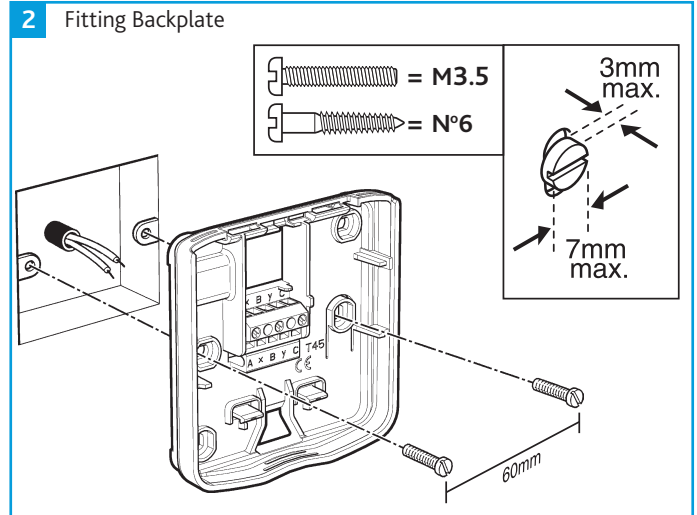
Do **NOT** position the thermostat near sources of heat (radiators, hot air vents, TV or lights), near doors or window, or in direct sunlight.



2.3 Mounting

The thermostat can be mounted directly on the wall or onto an electrical wall box.

The unit is supplied in 2 x halves, to enable quick and easy installation of the wiring backplate.



2.4 Wiring

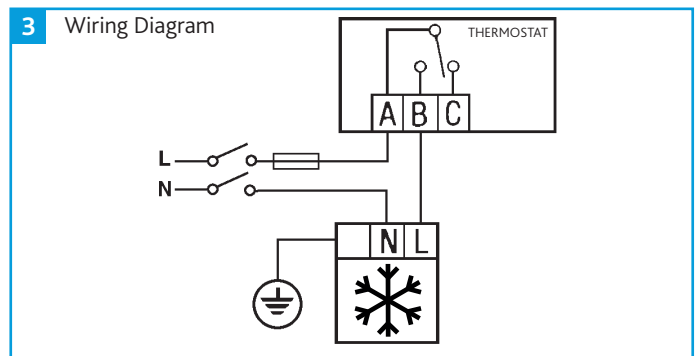
IMPORTANT

Isolation - Before commencing work make sure that the unit and Nuaire control are electrically isolated from the mains supply.

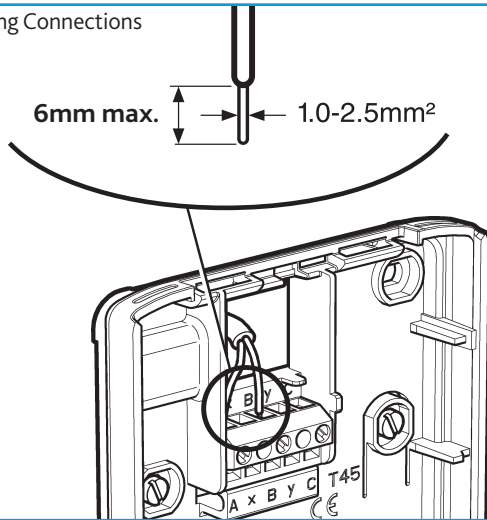
Installation should be carried out by a qualified electrician or competent cooling engineer

The thermostat is for fixed wiring only and must be installed in accordance with the latest Electrical Regulations.

Ensure the wiring connection to the supply is via a fuse rated at no more than 8 amps and a switch having contact separation of at least 3mm in all poles.



5 Wiring Connections



3.2 Off/Standby Button

The off/Standby button allows UNIT to switch off the cooling system at the touch of a button. To prevent accidental switch-off, the button must be held for 2 seconds to activate the change.

3.3 Energy Saving ECO Feature

The energy saving ECO button allows user to change to a lower, energy saving set point for a timed period of their choosing (1 to 24 hours), with the display showing a countdown of time remaining in ECO energy saving mode.

Pressing the green ECO button gives a timed period at a, predefined temperature of 23°C. If an alternative temperature is required, please contact Nuairé for further details.

Pressing ▲ or ▼ Buttons will now allow the ECO time period to be changed between 1 and 24 hrs, after selecting the required time period allow 5 seconds to pass for the setting to take effect.

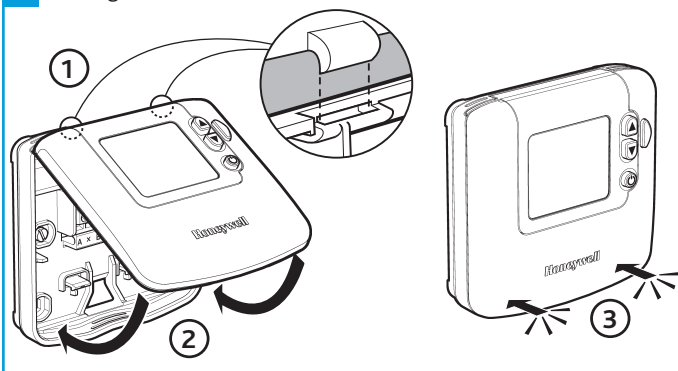
The display alternates every 5 seconds between a countdown of ECO time remaining and the current room temperature.

To exit ECO mode, press ECO button again.

2.5 Completing the Installation

After wiring is complete, the front piece is attached to the backplate with a hinging action, until it clips into place.

6 Fitting Front Cover



4.0 MAINTENANCE

The unit does not require routine maintenance. However, for optimum performance, it is advisable to remove any accumulated dust with a low power vacuum cleaner.

5.0 WARRANTY

These units come with a 2 year warranty for peace of mind. The warranty starts from the day of delivery and includes parts and labour for the first year, the remaining years covers replacement parts only.

This warranty is void if the equipment is modified without authorisation, is incorrectly applied, misused, disassembled, or not installed, commissioned and maintained in accordance with the details contained in this manual and general good practice.

The product warranty applies to the UK mainland and in accordance with Clause 14 of our Conditions of Sale.

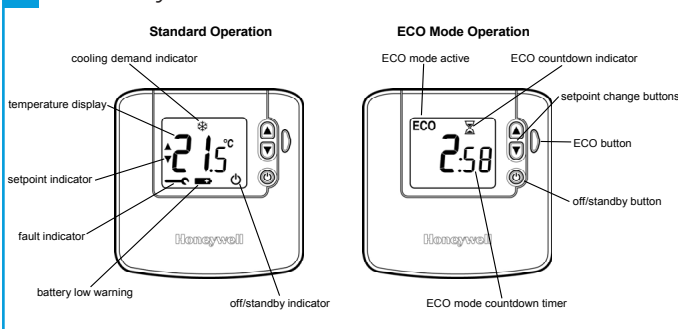
Customers purchasing from outside of the UK should contact Nuairé International Sales office for further details.

6.0 AFTER SALES

For technical assistance or further product information, including spare parts and replacement components, please contact the After Sales Department.

3.0 OPERATION

7 Control Layout



3.1 User Interface

The user interface has been made as simple as possible to make the thermostat easy to use. Buttons have been labelled ▲ and ▼ to identify them as the means of increasing and decreasing the set point temperature. The display normally shows the actual room temperature. When one of the buttons is first pressed, the set point temperature is shown flashing, accompanied by the ▲ and ▼ symbols. Further buttons presses will increase or decrease the set point in increments of 0.5°C.

Telephone: 02920 858 400
aftersales@nuaire.co.uk