

NRDD-MAN

Radial Manifolds

Installation Manual

1.0 SAFETY INFORMATION

- Precautions must be taken to avoid the back-flow of gases into the room from the open flue of gas or other fuel-burning appliances.
- This equipment should not be used by children or persons with reduced physical, sensory or mental capabilities or lack of experience and knowledge, unless they have been given supervision or instruction concerning the safe use of the equipment by a person responsible for their safety. Children shall not play with the equipment. Cleaning and user maintenance shall not be carried out by children.

1.1 Symbols



REFER TO INSTRUCTION MANUAL

Read and understand the installation and maintenance manual before installing, operating or maintaining this product.

1.2 Important Information

This manual contains important information on the safe and appropriate assembly, transport, commissioning, operation, maintenance, disassembly and simple troubleshooting of the product.

While the product has been manufactured according to the accepted rules of current technology, there is still a danger of personal injury or damage to equipment if the following general safety instructions and the warnings contained in these instructions are not complied with.

- **Read these instructions completely and thoroughly before working with the product.**
- **Keep these instructions in a location where they are accessible to all users at all times.**
- **Always include the operating instructions when you pass the product on to third parties.**

1.3 Personal Protective Equipment

The following minimum Personal Protective Equipment (PPE) is recommended when interacting with Nuaire product:

- **Protective Steel Toed Shoes** - when handling heavy objects.
- **Full Finger Gloves (Marigold PU800 or equivalent)** - when handling sheet metal components.
- **Semi Fingerless Gloves (Marigold PU3000 3DO or equivalent)** - when conducting light work on the unit requiring tactile dexterity.
- **Safety Glasses** - when conducting any cleaning/cutting operation or exchanging filters.
- **Reusable Half Mask Respirators** - when replacing filters which have been in contact with normal room or environmental air.

Nuaire would always recommend a site specific risk assessment by a competent person to determine if any additional PPE is required.

2.0 INTRODUCTION

Radial systems are a clever plug-and-play, whole-house ventilation solution.

The NRDD75-MAN-150 Radial manifold has a Ø150mm spigot which connects the central mechanical system to the manifold with rigid duct, and a further 12 Ø75mm spigots which allow Radial semi-rigid duct to service the property.

The NRDD75-MAN-220 Radial manifold has a 220x90mm spigot which connects the central mechanical system to the manifold with rigid duct, and a further 9 Ø75mm spigots which allow Radial semi-rigid duct to service the property.

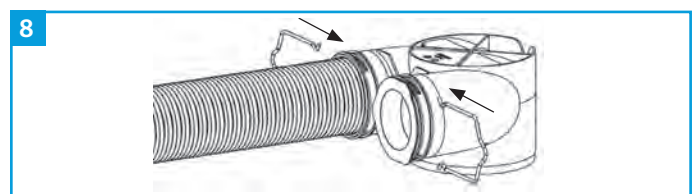
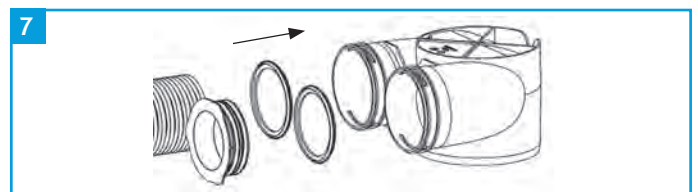
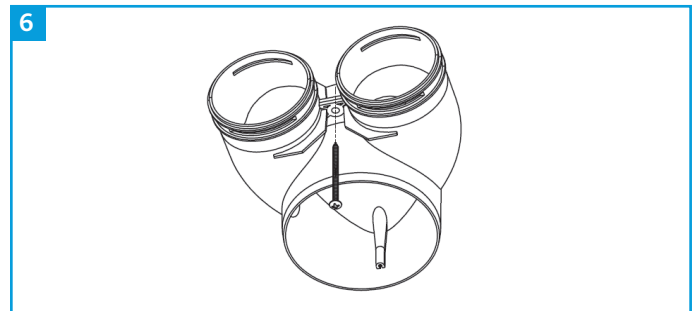
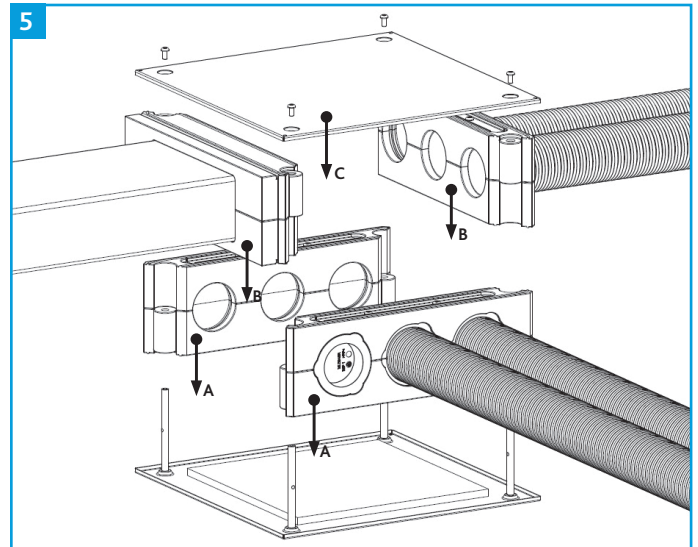
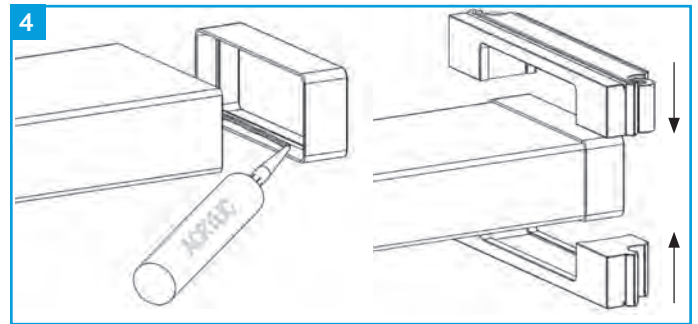
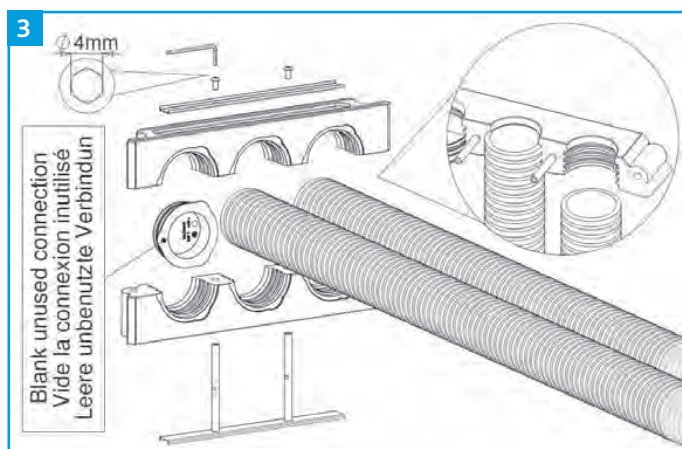
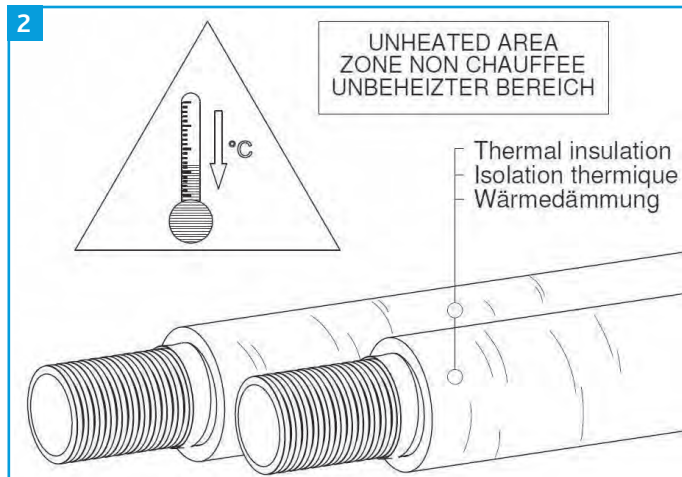
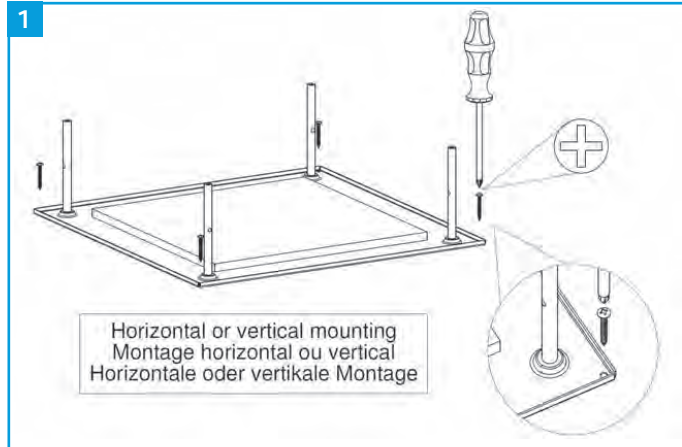
This helps keep duct runs as simple as possible which in turn maintains optimum system pressure. Should you not use them all, NRDD75-CON-CAP protective caps can be used to plug inoperative spigots.

3.0 MECHANICAL INSTALLATION

Installation must be completed by competent persons, in accordance with good industry practice and should conform to all governing and statutory bodies i.e. IEE, CIBSE, etc.

Can be horizontal or vertical mounted. In unheated areas thermal insulated ducting must be used. Ensure unused connections are blanked off. If duct length is less than 15m or airflow is less than 10l/s use single pipe connection. If duct length is more than 15m or airflow is more than 10l/s use double pipe connections.

3.1 NRDD75-MAN-220 Installation



9

Rigid or flexible connection
Liaison rigide ou flexible
Starre oder flexible Verbindung

13

UNHEATED AREA
ZONE NON CHAUFFEE
UNBEHEIZTER BEREICH

Thermal insulation
Isolation thermique
Wärmedämmung

10

If duct length < 15m or airflow < 10l/s use single pipe
Si la longueur du conduit < 15m ou débit d'air < 10l/s utilisez un tube unique
Wenn Leitungslänge < 15m oder Luftstrom < 10l/s verwenden Einzelrohr

If duct length > 15m or airflow > 10l/s use double pipe
Si la longueur du conduit > 15m ou débit d'air > 10l/s utilisez un tube double
Wenn Leitungslänge > 15m oder Luftstrom > 10 l/s verwenden Doppelrohr

14

Blank unused connection
Vide la connexion inutilisée
Leere unbenutzte Verbindung

4mm

3.2 NRDD75-MAN-150 Installation

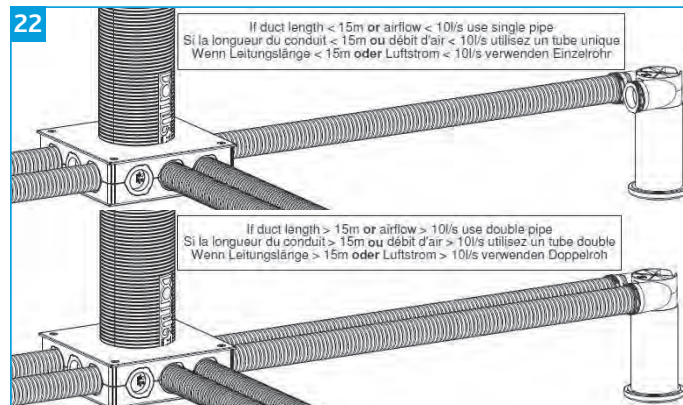
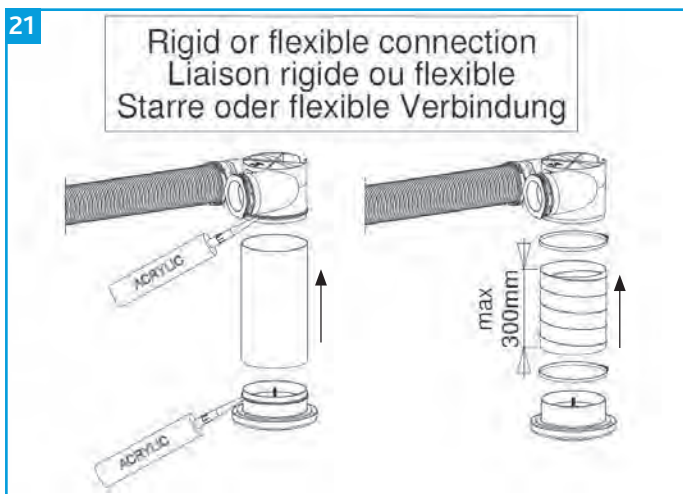
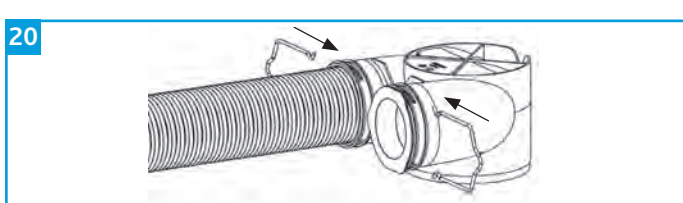
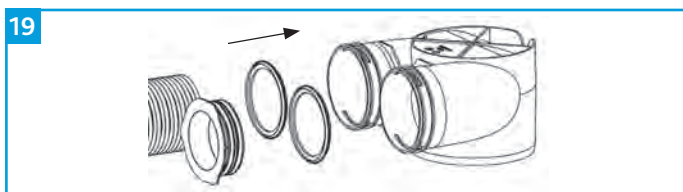
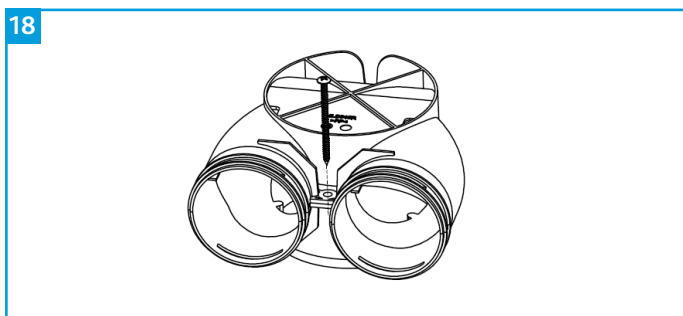
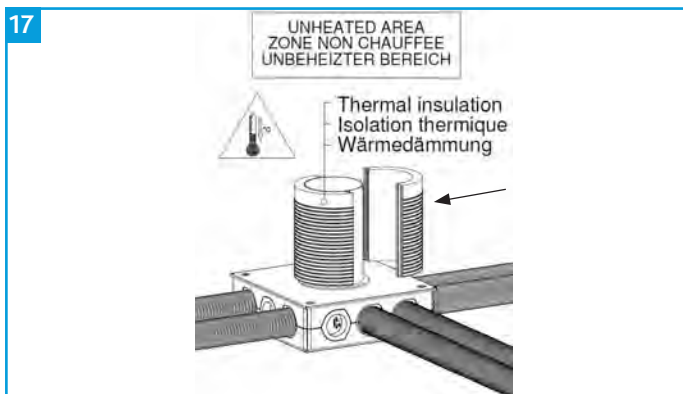
11

15

12

Horizontal or vertical mounting
Montage horizontal ou vertical
Horizontale oder vertikale Montage

16



4.0 END-OF-LIFE AND RECYCLING

Where possible Nuaire use components which can be largely recycled when the product reaches its end-of-life:

- EPP, plastic ducting, nylon corner pieces, plastic heat exchangers, packaging material and other plastic components can be segregated into mixed plastic and widely recycled.
- Cardboard packaging, wood, used filters and other paper components can be largely recycled or fully processed in energy from waste centres.
- Remaining Items can be further segregated and processed in accordance with the zero waste hierarchy. Please call After Sales Support for further information on items not listed above.

Ensure that Nuaire product is made safe from any electrical / water / refrigerant supplies before dismantling commences. This work should only be undertaken by a qualified person in accordance with local authority regulations and guidelines, taking into account all site based risks.

5.0 AFTER SALES AND REPLACEMENT PARTS

For technical assistance or further product information, including spare parts and replacement components, please contact the After Sales Department.

If ordering spares please quote the serial number of the unit together with the part number, if the part number is not known please give a full description of the part required. The serial number will be found on the identification plate attached to the unit casing.

Telephone 02920 858 400
aftersales@nuaire.co.uk

Technical or commercial considerations may, from time to time, make it necessary to alter the design, performance and dimensions of equipment and the right is reserved to make such changes without prior notice.