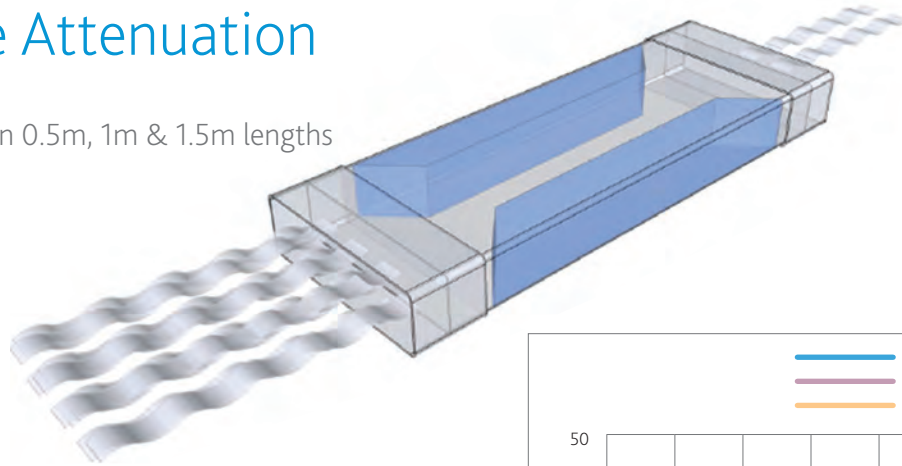


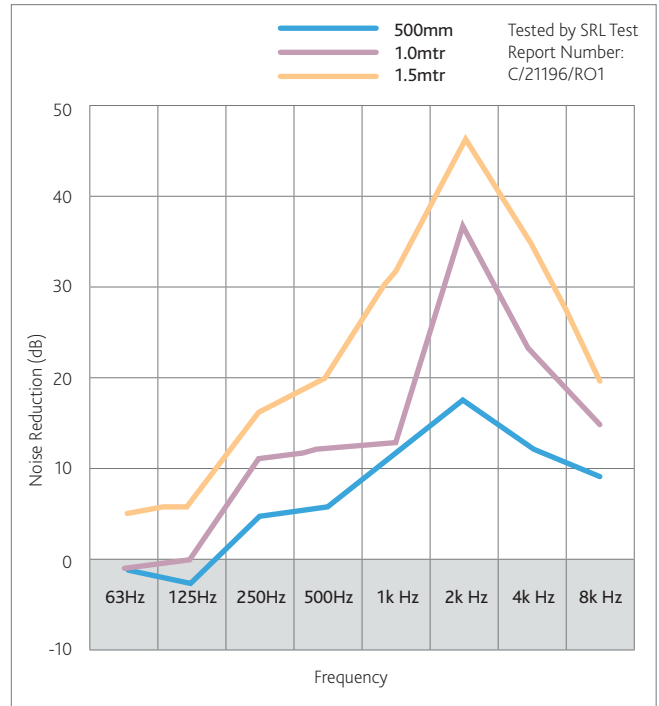
Inline Attenuation

Available in 0.5m, 1m & 1.5m lengths



Features

- Regulation driven to reduce duct noise for designers "Domestic Compliance Guide 2010" & noise requirements Part F 2010
- Corrosion Proof - Lightweight PVC removes the risk of corrosion
- Reduce cross talk room to room noise
- Prevents noise ingress for inner city development
- Space Saving - Slim line low profile design for integration within your ducting system



PRODUCT RANGE

Silencer Code	Description	Width	Length	Height
PVCSIL-500	System 204 Duct Silencer x 500mm	204mm	580mm	65mm
PVCSIL-1000	System 204 Duct Silencer x 1.0mtr	204mm	1080mm	65mm
PVCSIL-1500	System 204 Duct Silencer x 1.5mtr	204mm	1580mm	65mm

THE LEVEL OF SOUND ABSORPTION

Silencer Length	125Hz	250Hz	500Hz	1kHz	2kHz	4kHz	8kHz
500mm	-3	5	6	12	18	12	9
1.0mtr	0	11	12	13	37	23	15
1.5mtr	6	16	20	32	47	35	20

STATIC PRESSURE DROP IN PASCALS (PA) VERSUS FLOW RATE (L/S)

Approximate l/s		15	30	60	90	120	150
PVCSIL-500	pa	10.5	18.5	100	213	371	576
PVCSIL-1000	pa	10.4	17.2	107	234	373	578
PVCSIL-1500	pa	8.2	23.5	107	230	412	595